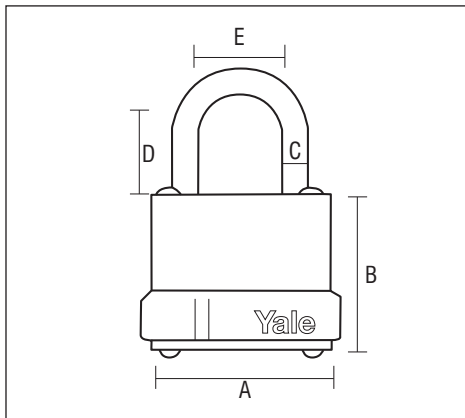
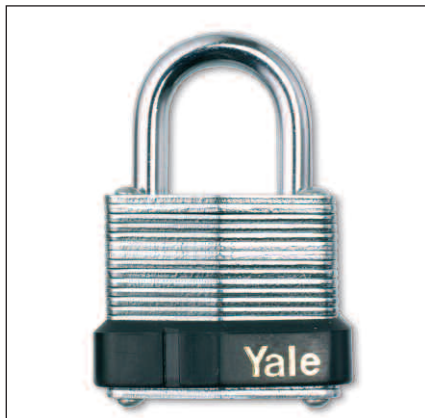




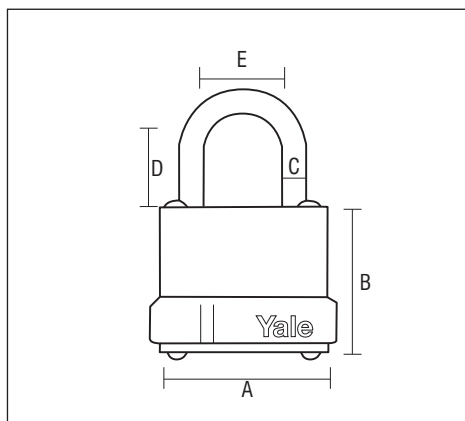
P115 Handy Lock Laminated



Model	A	B	C	D	E	Cold Rolled Steel
P115/30/117/1	34mm	26.4mm	5mm	18mm	14.3mm	•
P115/30/117/3	34mm	26.4mm	5mm	18mm	14.3mm	•
P115/40/163/1	44mm	36.1mm	6.4mm	63mm	20.2mm	•
P115/40/163/3	44mm	36.1mm	6.4mm	63mm	20.2mm	•
P115/40/400/1	44mm	162mm	6.4mm	140mm	40mm	•

- Designed for basic protection
- Multi-layered steel bodies
- Chrome plated hardened steel shackle
- Self latching, pin tumbler mechanism and double locking

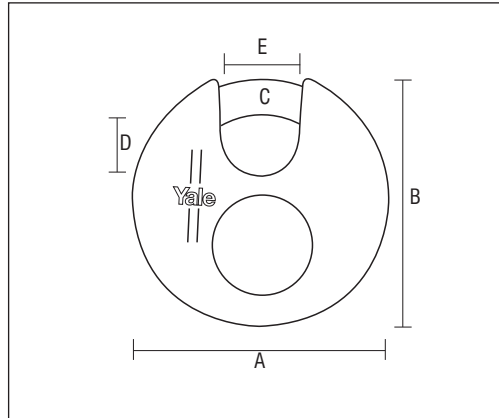
P125 Double Steel Ball Locking



Model	A	B	C	D	E	Cold Rolled Steel
P125/40/122/1	44mm	36.1mm	6.4mm	25mm	20.2mm	•
P125/40/122/3	44mm	36.1mm	6.4mm	25mm	20.2mm	•
P125/50/129/1	54mm	37.7mm	9.5mm	29mm	22.9mm	•
P125/60/133/1	65mm	44mm	11.1mm	32mm	28.2mm	•

- Laminated padlock with enhanced corrosion resistance
- Solid, multi layered steel body
- Chrome plated Hardened steel shackle
- Self latching, pin tumble mechanism and double steel ball locking

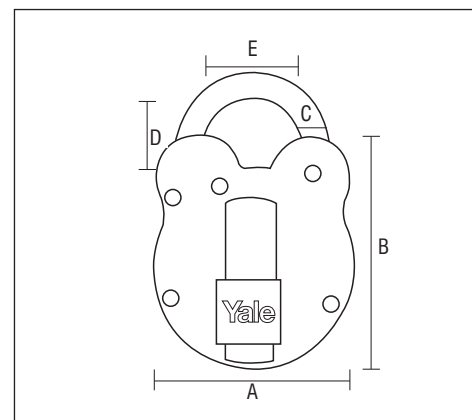
P130 General Padlock Hardened Steel



Model	A	B	C	D	E	Stainless Steel
P130/70/116/1	70mm	70mm	9.5mm	23mm	16mm	•
P130/70/116/2	70mm	70mm	9.5mm	23mm	16mm	•

- 70mm cylindrical stainless steel padlock with high corrosion resistance
- Precision seam welded stainless steel case with drain holes
- Enclosed 9.5mm hardened alloy steel shackle
- Non corrosive internal components
- Pin tumbler mechanism
- Key retention in the unlocked position

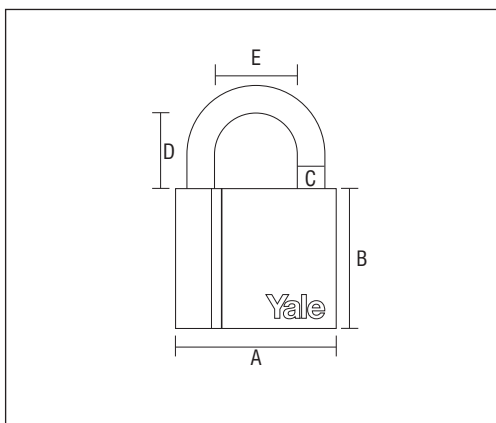
P215 General Padlock Traditional



Model	A	B	C	D	E	Cold Rolled Steel
P215/53/117/1	53mm	62mm	8mm	17mm	9.5mm	•
P215/53/117/3	53mm	62mm	8mm	17mm	9.5mm	•
P215/63/125/1	63mm	78mm	11mm	23mm	19.2mm	•
P215/63/125/2	63mm	78mm	11mm	23mm	19.2mm	•

- Traditional padlock featuring solid steel body, chrome plated hardened steel shackle
- Cover cap to prevent keyway rusting
- Lever locking mechanism

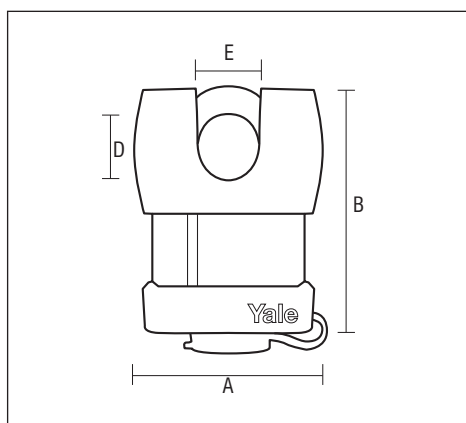
P220 General Padlock Waterproof



Model	A	B	C	D	E	Steel
P220/51/118/1	52mm	49mm	8.9mm	22mm	17.6mm	•
P220/51/118/3	52mm	49mm	8.9mm	22mm	17.6mm	•
P220/61/123/1	61mm	52mm	11.5mm	26mm	20.8mm	•
P220/71/130/1	71mm	59mm	13mm	31mm	26.1mm	•

- Weatherproof padlocks suitable for outdoor applications
- Solid multi layered steel body protection system
- Keyway cover cap to prevent rusting
- Double steel ball locking
- Pack of 3 option, one key fits all padlocks

P221 General Padlock Waterproof



Model	A	B	C	D	E	Cold Rolled Steel
P221/52/125/1	52mm	78mm	34mm	20mm	17.6mm	•
P221/61/130/1	64mm	89mm	38mm	23mm	20.3mm	•

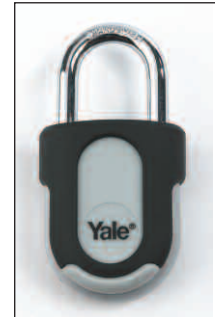
- Weatherproof shackle protected padlock featuring solid, multi-layered steel body
- Shackle protection system
- Cover cap to prevent keyway rusting
- Fully enclosed shackle double steel ball locking engineered for maximum resistance to corrosion and saw attack

Y879/55/130/1 Combination Padlock with Slide Cover



This stylish Yale padlock has protective cover for outdoor use

- 50mm padlock with 8mm shackle
- Zinc body with ABS protective cover
- Features slide cover to protect combination
- Suitable for outdoor use
- Re-settable, 4 Dial combination lock



Item No	Item Description	Finish
Y879/55/130/1	Combination Padlock with slide cover	Zinc/ABS

Y600/120/1 Combination Bolt



This Stylish Yale bolt has combination locking for re-enforced security

- Hardened steel body with Satin Matt Nickel finish
- Incorporates hook to assist door opening
- Length 150mm, bolt diameter 14mm
- Easily Re-settable Combination lock
- Concealed fixings for maximum security

Item No	Item Description	Finish
Y600/120/1	Combination bolt	Satin Matt Nickel

Y500/187/1 Combination Key Access



This Yale Key Access Allows protection of keys so other members of the family can access them easily

- No need to put keys under the mat for when the children come home
- Strong Die-Cast Body
- Weather resistant case, for outdoor use
- Re-settable Combination lock

Item No	Item Description	Finish
Y500/187/1	Combination key access	Zinc plated